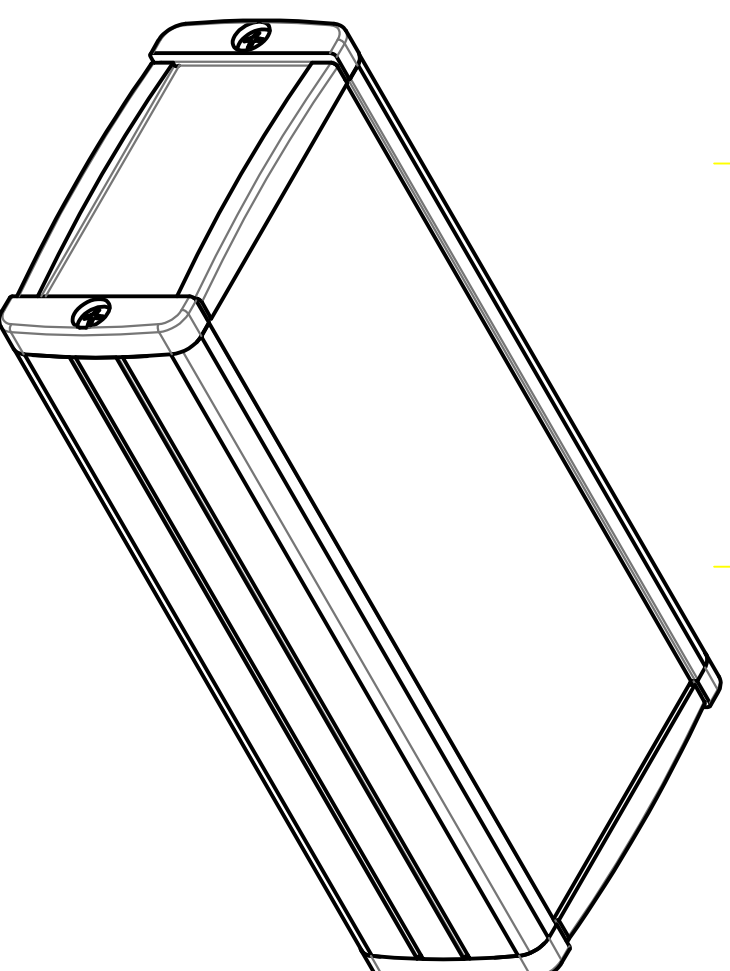
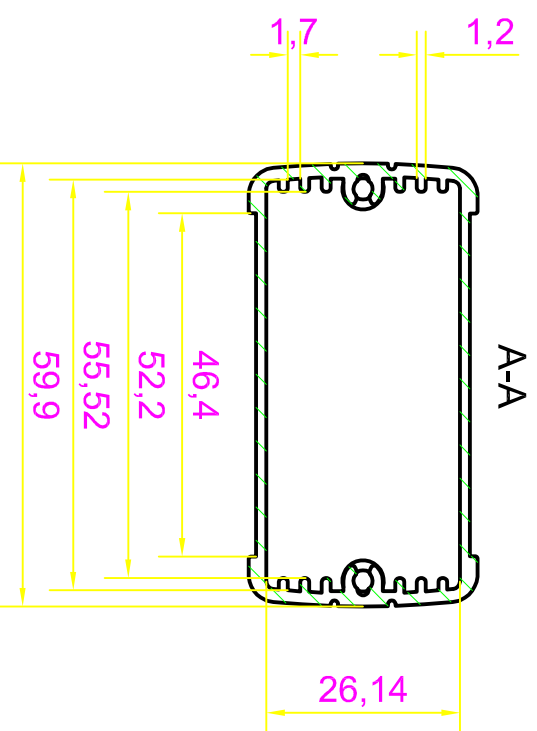



MAXIMUM PCB SIZE



 <b>ENCLOSURES</b>	<i>Demonstration</i> <b>Assembly TEKAL-13</b>		<i>Part Number</i> <b>TEKAL-13</b>	
	Subject to technical modification without prior notice. Tipographical and other errors do not justify any claim for damages. All dimensions should be verified using an actual moulded part.		<i>Rev. Index</i>  	<i>Scale</i> <b>1:1</b>
This document contains proprietary information of <b>TEKO S.p.a.</b> and is rendered subject to the conditions that the information be retained in confidence not be reproduced or copied and not be used or incorporated in any product.		<i>Date</i> <b>01/09/2005</b>	<i>Format design</i> <b>A3</b>	